

TECNOVIDEO

CCTV SYSTEMS AND ACCESSORIES

INNO FIXED AXIS

INNOVATIVE STAINLESS STEEL CAMERA STATION

SAFE AREA

- **INNOVATIVE PRODUCT, BEST IN CLASS TECHNOLOGY**
- AISI316L STAINLESS STEEL CONSTRUCTION
- OPERATING TEMPERATURE -60°C +60°C (+75°C PEAK)
- POWERED BY **AXIS Q1715**, DAY/NIGHT FULL HD, 21X OPTICAL ZOOM
- EDGE RECORDING
- OPTIONAL WINDOW WIPER
- IP66/67
- OPTIONAL BUILT-IN FIBER MEDIA CONVERTER
- OPTIONAL BUILT-IN IP OVER COAXIAL CONVERTER
- OPTIONAL BUILT-IN 120VAC OR 230VAC POWER SUPPLY

AXIS[®]
COMMUNICATIONS



ONVIF[®]

TECHNICAL SPECIFICATIONS

GENERAL & MECHANICAL

Dimensions	See dimensions drawings
Operating Temperature	-60° +60°C, +75°C peak (-76°F +140°F, +167°F peak)
Construction	AISI316L Stainless Steel
Finish	Electro-polished
Mounting	2x M6, centre to centre 63.5mm
Cable entries	2x M20 x1,5, nickel plated brass cable glands included
Wiper	Optional
Weight	Unit: 6.5 Kg / Package: 7.8 Kg (version with wiper)

ELECTRICAL

Temperature Climatization	T[°C] ON = 12 ± 4°C, T[°C] OFF = 20 ± 3°C
Available voltages	24VAC, 120VAC, 230VAC (+/-10%) 24VDC or PoE available on request
Power consumption	40W MAX

CERTIFICATIONS

Ingress Protection	EN 60529 (IP66/IP67)
EMC	EN 55032; EN 55035; EN/IEC 61000-3-2; EN/IEC 61000-3-3; EN/IEC 61000-6-2; EN/IEC 61000-6-4; CISPR-32; CISPR-35
LVD	EN/IEC 62368-1
RoHS	2011/65/EU + 2015/863/EU (RoHS 3)
WEEE	2012/19/EU

VIDEO/CAMERA

Sensor	1/2.8" progressive scan CMOS
Resolution	1920x1080
Compression	H.264 (MPEG-4 Parte 10/AVC), H.265 (MPEG-H parte 2/HEVC), MJPEG
Streaming	Multiple, individually configurable streams in H.264, H.265 and Motion JPEG Axis Zipstream technology in H.264 and H.265 Controllable frame rate and bandwidth VBR/ABR/MBR H.264/H.265
Frame Rate	up to 60fps
Sensitivity	Min color: 0.1 lux at 50 IRE F1.5, Min B/W: 0.02 lux at 50 IRE F1.5
Shutter Speed	1/66500s to 2s
Optical Filter	Automatically removable infrared-cut filter
White Balance	Automatic
Dynamic range	WDR
Lens	21x Autofocus Optical zoom, 4-84.6 mm, F1.6-F4.5
Analytics	Object classes: humans, vehicles (types: cars, buses, trucks, bikes). Trigger conditions: line crossing, object in area, Up to 10 scenarios, Metadata visualized with color-coded bounding boxes, Polygon include/exclude areas, Perspective configuration, ONVIF Motion Alarm event
Image settings	Saturation, contrast, brightness, sharpness, Forensic WDR: up to 120 dB depending on scene, white balance, day/night threshold, tone mapping, local contrast, EIS, exposure mode, exposure zones, defogging, compression, rotation: auto, 0°, 90°, 180°, 270° including Corridor Format, dynamic text and image overlays, polygon privacy mask, mirroring of images. Scene profiles: forensic, vivid, traffic overview

www.tecnovideoocctv.com

Tecnovideo S.r.l. - Via A. De Gasperi, 3 36030 Villaverla (VI) ITALY - Tel. +39.0445.350444 - info@tecnovideoocctv.com

INNOVATIVE STAINLESS STEEL CAMERA STATION

Event Triggers	Device status: above operating temperature, above or below operating temperature, below operating temperature, IP address removed, network lost, new IP address, ring power overcurrent detection, storage failure, system ready, within operating temperature, shock detection Edge storage: recording ongoing, storage disruption. I/O: digital input, manual trigger, virtual input MQTT subscribe. Scheduled and recurring: scheduled event. Video: average bitrate degradation, day-night mode, live stream open, tampering
Edge Recording	microSD/microSDHC/microSDXC slot
Iris	P-Iris
Network Storage	Support for recording to NAS
SNR	>50dB
Noise Reduction	3D Motion Compensated Noise Reduction
Iris	P-Iris, Auto-Iris
Image Stabilization	EIS

(* for more updated information pls visit original web site of camera manufacturer

NETWORK

Interface	10BASE-T/100BASE-TX/1000BASE-T
Security	Password protection, IP address filtering, HTTPSa encryption, IEEE 802.1x (EAP-TLS) network access control, digest authentication, user access log, centralized certificate management, brute force delay protection, signed firmware, secure boot, Axis Edge Vault, Axis device ID, secure keystore (CC EAL4 certified), TPM (FIPS 140-2 certified)
ONVIF	ONVIF profile G/M/T/S
Protocols	Pv4, IPv6 USGv6, ICMPv4/ICMPv6, HTTP, HTTPSa, HTTP/2, TLSa, QoS Layer 3 DiffServ, FTP, SFTP, CIFS/SMB, SMTP, mDNS (Bonjour), UPnP®, SNMP v1/v2c/v3 (MIB-II), DNS/DNSv6, DDNS, NTP, RTSP, RTP, SRTP, TCP, UDP, IGMPv1/v2/v3, RTCP, DHCPv4/v6, SOCKS, SSH, SIP, LLDP, CDP, MQTT v3.1.1, Syslog, Link-Local address (ZeroConf)

(* for more updated information pls visit original web site of camera manufacturer

FIBER MEDIA CONVERTER

Interface	100 Base-FX/1000BASE-X
Cabling	Singlemode (9/125 μm) /two fibers/SC connector
Maximum Distance	20km
Wavelength	1310 nm

IP OVER COAXIAL CONVERTER

Interface	10/100 Base-TX over Coaxial Cable
Bandwidth	Up to 95Mbps downlink/uplink
Maximum Distance	1800m
Technology	Broadband over Power Lines (BPL)
Interference Prevention	IEEE 1901-2010 Inter-System Protocol ISP

MODELS

TSF2TX01-IP-M	New Generation Stainless Steel FIXED IP camera station with Axis Q1715, 120VAC
TSF3TX01-IP-M	New Generation Stainless Steel FIXED IP camera station with Axis Q1715, 230VAC
TSF1TX01-IP-M	New Generation Stainless Steel FIXED IP camera station with Axis Q1715, 24VAC
TSF2TX01-SM-M	New Generation Stainless Steel FIXED IP camera station with Axis Q1715, with SM FO media converter, 120VAC
TSF3TX01-SM-M	New Generation Stainless Steel FIXED IP camera station with Axis Q1715, with SM FO media converter, 230VAC
TSF1TX01-SM-M	New Generation Stainless Steel FIXED IP camera station with Axis Q1715, with SM FO media converter, 24VAC
TSF2TX01W-IP-L	New Generation Stainless Steel FIXED IP camera station with Axis Q1715, wiper, 120VAC
TSF3TX01W-IP-L	New Generation Stainless Steel FIXED IP camera station with Axis Q1715, wiper, 230VAC
TSF1TX01W-IP-L	New Generation Stainless Steel FIXED IP camera station with Axis Q1715, wiper, 24VAC
TSF2TX01W-SM-L	New Generation Stainless Steel FIXED IP camera station with Axis Q1715, wiper and SM FO media converter, 120VAC
TSF3TX01W-SM-L	New Generation Stainless Steel FIXED IP camera station with Axis Q1715, wiper and SM FO media converter, 230VAC
TSF1TX01W-SM-L	New Generation Stainless Steel FIXED IP camera station with Axis Q1715, wiper and SM FO media converter, 24VAC

- for fiber media converter replace the suffix "IP" with "SM"
- for IP over COAXIAL converter replace the suffix "IP" with "CX"
- All the above models include sunshield and heater

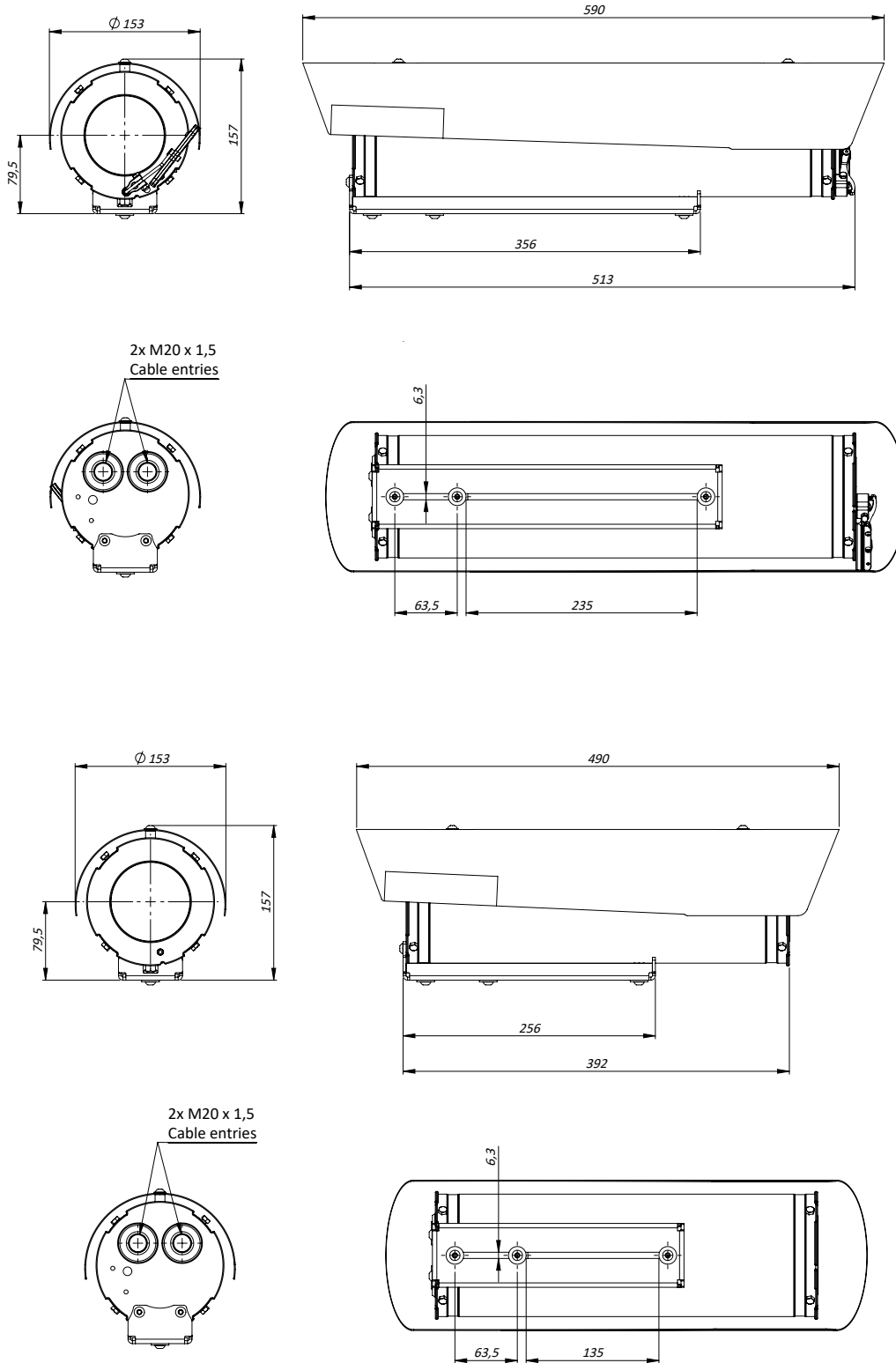
PRE-ASSEMBLED CABLE TAILS

SAUCCT3-A	3 meters composite cable tail (power, CAT6A, data) with two M20 nickel-plated brass glands. For FIXED camera
SAUCCTF3-C	3 meters composite cable tail (power, data, fiber optic) with two M20 nickel-plated brass glands. Fiber termination: SC. For FIXED camera
SAUCCT5-A	5 meters composite cable tail (power, CAT6A, data) with two M20 nickel-plated brass glands. For FIXED camera
SAUCCTF5-C	5 meters composite cable tail (power, data, fiber optic) with two M20 nickel-plated brass glands. Fiber termination: SC. For FIXED camera
SAUCCT10-A	10 meters composite cable tail (power, CAT6A, data) with two M20 nickel-plated brass glands. For FIXED camera
SAUCCTF10-C	10 meters composite cable tail (power, data, fiber optic) with two M20 nickel-plated brass glands. Fiber termination: SC. For FIXED camera

ACCESSORIES

SSBK-S	Wall mounting bracket
SSPM-S	Pole mount adapter for SSBK-S
SSPTM-S	Top pole mount adapter
SSBKLN-S	Ceiling mounting bracket

DIMENSIONS



Dimensions in millimetres - Tolerances according QMS - Design and products specifications subject to change without notice - rev. 202403731