

NEXTDUAL VISIBLE & THERMAL

INNOVATIVE EXPLOSIONPROOF DAY/NIGHT AND THERMAL DUAL CAMERA STATION

HAZARDOUS AREA

- **INNOVATIVE PRODUCT, BEST IN CLASS TECHNOLOGY**
- ATEX/IECEX/UKCA EXPLOSIONPROOF CAMERA FOR HAZARDOUS LOCATIONS
- AISI316L STAINLESS STEEL CONSTRUCTION
- CERTIFICATION TEMPERATURE -60°C +80°C
- VISIBLE: 2MP, 30X AUTOFOCUS OPTICAL ZOOM
- THERMAL: 640X512 RESOLUTION, 9HZ OR 25HZ, LWIR
- INTEGRATED WINDOW WIPER (VISIBLE)
- EDGE RECORDING
- IP66/67/68/69, NEMA 4X
- OPTIONAL BUILT-IN FIBER MEDIA CONVERTER
- OPTIONAL BUILT-IN 120VAC OR 230VAC POWER SUPPLY
- H2-READY



TECHNICAL SPECIFICATIONS

GENERAL & MECHANICAL

Dimensions	See dimensions drawings
Operating Temperature	-50°C +60°C, +75°C peak (-58°F +140°F, +167°F peak)
Construction	AISI316L Stainless Steel
Window	Dual window. Thermal: Germanium HC coated 28mm
Finish	Electro-polished
Mounting	4x M5 on 101,6 PCD 4x M6 on 90x130
Cable entries	2x M25 x1,5
Wiper	Yes (visible)
Weight	Unit: 11.5 Kg / Package: 13 Kg

ELECTRICAL

Temperature Climatization	T[°C] ON = 12 ± 4°C, T[°C] OFF = 20 ± 3°C
Available voltages	24VAC, 120VAC, 230VAC (+/-10%) 24VDC or PoE available on request
Power consumption	40W MAX

CERTIFICATIONS

Ingress Protection	EN 60529 (IP66/IP67/IP68/IP69), NEMA 4X
IK rating	IK10 on all sides except windows
Rating	II 2 G Ex db IIC T6/5/4 Gb -60°C ≤ Tamb ≤ +60/75/80°C II 2 D Ex tb IIIC T85/100/135°C Db -60°C ≤ Tamb ≤ +60/75/80°C
ATEX/UKCA Standards	EN 60079-0; EN 60079-1; EN 60079-31
IECEX Standards	IEC 60079-0; IEC 60079-1; IEC 60079-31
EMC	EN 55032; EN 55035; EN/IEC 61000-3-2; EN/IEC 61000-3-3; EN/IEC 61000-6-2; EN/IEC 61000-6-4; CISPR-32; CISPR-35
LVD	EN/IEC 62368-1
RoHS	2011/65/EU + 2015/863/EU (RoHS 3)
WEEE	2012/19/EU

VISIBLE CAMERA

Sensor	1/2.8" Sony Exmor CMOS, 2MP
Resolution	1920x1080, 2MP
Compression	H.265/H.264/MJPEG
Streaming	1080P@30fps
Frame Rate	Channel 1: 2MP, 30fps
Focus Settings	Auto/Manual/Semi-Auto
Sensitivity	Color: 0.005 lux, F1.5; B/W: 0.0005 lux, F1.5
Shutter Speed	1/3 to 1/30000s
Optical Filter	Automatically removable IR-cut filter
White Balance	Auto/Manual/Indoor/Outdoor/ATW/Sodium Lamp/Natural/Street Lamp/One Push
Dynamic range	WDR
Lens	30x Autofocus Optical Zoom, 16x Digital Zoom, 4.7-141mm
FOV	Horizontal: 61.2° (Wide), 2.2° (Tele) Vertical: 36.8° (Wide), 1.2° (Tele)
Analytics	Tripwire, Intrusion, Loitering, etc.
Image settings	Saturation, Brightness, Contrast, Sharpness, Gamma
Event Triggers	Motion Detection, Tamper Detection, Scene Changing, Network, Illegal Access
Event Actions	External Output Activation
Edge Recording	microSD (card not provided)
Gain	AGC
SNR	>55dB
Noise Reduction	2D/3D
Image Stabilization	EIS
Defog	Electronic-defog

INNOVATIVE EXPLOSIONPROOF DAY/NIGHT AND THERMAL DUAL CAMERA STATION

THERMAL CAMERA

Sensor	VOx Microbolometer, 12µm, uncooled
Resolution	640x512 pixels
Spectral Band	LWIR 8-14µm
Compression	H.265/H.264/MJPEG
Streaming	Channel 2: 704x576, 25fps
Frame Rate	9HZ or 25HZ
Sensitivity	≤50mK
Temperature Measurement	Accuracy ±3°C / ±3%, range -20~150°C or 0°C~550°C (High temperature mode)
Image settings	White heat, black heat, fusion, rainbow, etc

NETWORK

Interface	100BASE-TX or 100BASE-FX/1000BASE-X (fiber)
ONVIF	ONVIF compliant
Protocols	RTP, RTSP, HTTP, HTTPS, TCP, UDP

FIBER MEDIA CONVERTER

Interface	100 Base-FX/1000BASE-X
Cabling	Singlemode (9/125 µm) /two fibers/SC connector
Maximum Distance	20km
Wavelength	1310 nm

MODELS

TXFD1TV30-xxW-IP-M	New Generation Explosionproof FIXED IP DUAL camera station, 2MP 30x (visible), 640x512 (thermal), 24VAC
TXFD2TV30-xxW-IP-M	New Generation Explosionproof FIXED IP DUAL camera station, 2MP 30x (visible), 640x512 (thermal), 120VAC
TXFD3TV30-xxW-IP-M	New Generation Explosionproof FIXED IP DUAL camera station, 2MP 30x (visible), 640x512 (thermal), 230VAC
TXFD1TV30-xxW-SM-M	New Generation Explosionproof FIXED IP DUAL camera station, 2MP 30x (visible), 640x512 (thermal), SM FO media converter, 24VAC
TXFD2TV30-xxW-SM-M	New Generation Explosionproof FIXED IP DUAL camera station, 2MP 30x (visible), 640x512 (thermal), SM FO media converter, 120VAC
TXFD3TV30-xxW-SM-M	New Generation Explosionproof FIXED IP DUAL camera station, 2MP 30x (visible), 640x512 (thermal), SM FO media converter, 230VAC

- All the above models include sunshield and heater
- To order the required camera configuration, please replace "TV30-xx" with the number indicated in the table below

CAMERA MODEL SELECTION (TV30-XX)

	9Hz	25Hz
9mm	TV30-22	TV30-32
13mm	TV30-23	TV30-33
19mm	TV30-24	TV30-34
25mm	TV30-25	TV30-35

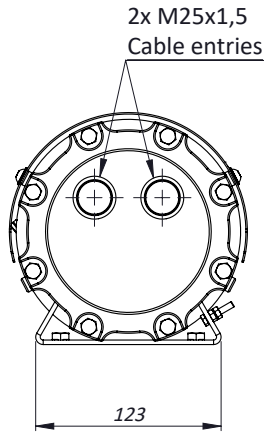
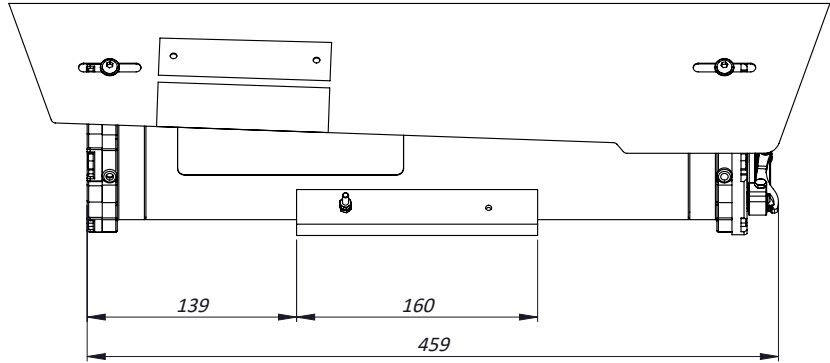
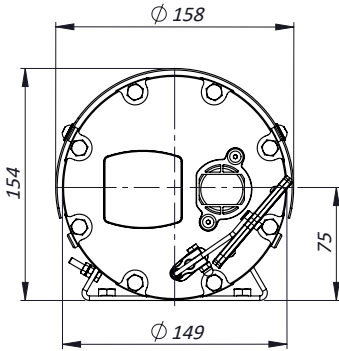
PRE-ASSEMBLED CABLE TAILS

EXACCTF3-A	3 meters armored composite cable tail (power, Ethernet, data) with 2x M25 barrier nickel plated brass glands
EXACCTF3-C	3 meters armored composite cable tail (power, data, fiber optic) with 2x M25 barrier nickel plated brass glands. Fiber termination: SC
EXACCTF5-A	5 meters armored composite cable tail (power, Ethernet, data) with 2x M25 barrier nickel plated brass glands
EXACCTF5-C	5 meters armored composite cable tail (power, data, fiber optic) with 2x M25 barrier nickel plated brass glands. Fiber termination: SC
EXACCTF10-A	10 meters armored composite cable tail (power, Ethernet, data) with 2x M25 barrier nickel plated brass glands
EXACCTF10-C	10 meters armored composite cable tail (power, data, fiber optic) with 2x M25 barrier nickel plated brass glands. Fiber termination: SC

ACCESSORIES

SSBK-M	Wall mounting bracket
SSPM-M	Pole mount adapter for SSBK-M
SSPTM-M	Top pole mount adapter

DIMENSIONS



MOUNTING PATTERN

