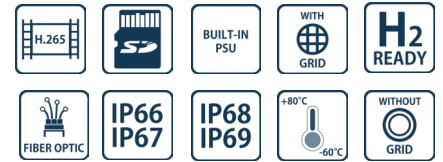


## NEXT THERMAL PTZ CAMERA

INNOVATIVE EXPLOSIONPROOF THERMAL PTZ CAMERA STATION

HAZARDOUS AREA

- **INNOVATIVE PRODUCT, BEST IN CLASS TECHNOLOGY**
- ATEX/IECEX/UKCA/INMETRO EXPLOSIONPROOF PTZ FOR HAZARDOUS LOCATIONS
- AISI316L STAINLESS STEEL CONSTRUCTION
- CERTIFICATION TEMPERATURE -60°C +80°C
- THERMAL: 336X256 OR 640X512 RESOLUTION, 9HZ OR 25HZ, LWIR
- WIDE RANGE OF THERMAL LENSES
- VERY LOW POWER CONSUMPTION
- EASY MAINTENANCE
- IP66/67/68/69, NEMA 4X
- OPTIONAL BUILT-IN FIBER MEDIA CONVERTER
- OPTIONAL BUILT-IN IP OVER COAXIAL CONVERTER
- OPTIONAL BUILT-IN 120VAC OR 230VAC POWER SUPPLY
- H2-READY



## TECHNICAL SPECIFICATIONS

### GENERAL & MECHANICAL

<b>Dimensions</b>	See dimensions drawings
<b>Operating Temperature</b>	-60° +60°C, +75°C peak (-76°F +140°F, +167°F peak)
<b>Construction</b>	AISI316L Stainless Steel
<b>Finish</b>	Electro-polished
<b>Window</b>	Germanium HC coated 50mm (Thermal)
<b>Mounting</b>	4x Ø11 on 195 PCD
<b>Cable entries</b>	1x M25x1,5 (second cable entry available on demand)
<b>Wiper</b>	No
<b>Pan Angle</b>	360° (continuous rotation)
<b>Pan Speed</b>	0 – 40°/second
<b>Pan Torque</b>	20Nm (limited with safety device)
<b>Tilt Angle</b>	180° (+/-90°)
<b>Tilt Speed</b>	0 – 20°/second
<b>Tilt Torque</b>	20Nm (limited with safety device)
<b>Rotation angle</b>	Electronically adjustable limit switches
<b>Backlash</b>	<0,1°
<b>Max preset accuracy</b>	0,04°
<b>Control protocol</b>	Pelco D (RS485)
<b>Weight</b>	Unit: 31Kg / Package: 36 Kg

### ELECTRICAL

<b>Temperature Climatization</b>	
- Camera Housing	T[°C] ON = 12 ± 4°C, T[°C] OFF = 20 ± 3°C
- Gear motors	Electronically controlled de-icing
<b>Available voltages</b>	24VAC, 120VAC, 230VAC (+/-10%) 24VDC available on request
<b>Power consumption</b>	10W min (stationary and de-icing/heater/ wiper/illuminator off), 130W MAX

### CERTIFICATIONS

<b>Ingress Protection</b>	EN 60529 (IP66/IP67/IP68/IP69), NEMA 4X
<b>Rating</b>	II 2 G Ex db IIC T6/5/4 Gb -60°C ≤ Tamb ≤ +60/75/80°C II 2 D Ex tb IIIC T85/100/135°C Db -60°C ≤ Tamb ≤ +60/75/80°C
<b>Vibrations and Shock</b>	EN/IEC 60068-2-6; EN/IEC 60068-2-27; DNV-CG-0339
<b>ATEX/UKEX Standards</b>	EN 60079-0; EN 60079-1; EN 60079-31
<b>IECEX Standards</b>	IEC 60079-0; IEC 60079-1; IEC 60079-31
<b>EMC</b>	EN 55035; EN/IEC 61000-6-4; EN/IEC 61000-3-2; EN/IEC 61000-3-3; EN/IEC 61000-6-2; CISPR-32; CISPR-35; DNV-CG-0339
<b>LVD</b>	EN/IEC 62368-1
<b>FCC</b>	FCC part 15B
<b>RoHS</b>	2011/65/EU + 2015/863/EU (RoHS 3)
<b>WEEE</b>	2012/19/EU
<b>INMETRO</b>	ABNT NBR IEC 60079-0; ABNT NBR IEC 60079-1; ABNT NBR IEC 60079-31

### CAMERA (THERMAL)

<b>Sensor</b>	VOx Microbolometer, 17µm, uncooled
<b>Resolution</b>	336x256 or 640x512 pixels
<b>Spectral Band</b>	LWIR 7.5-13.5µm
<b>Compression</b>	H.264 (Baseline Profile / Main Profile / High Profile), H.265, MJPEG
<b>Streaming</b>	Up to three streams
<b>Frame Rate</b>	9Hz (9fps) or 25Hz (25fps)
<b>Focus Settings</b>	Fixed manual focus, minimum focus distance, depending on models
<b>Sensitivity</b>	<50 mK @ f/1.0
<b>Shutter type</b>	SSN - Silent Shutterless NUC™ for continuous image uniformity improvement

## LENS (THERMAL)

	FOV (HxV)	FOV (HxV)
	336x256	640x512
7.5mm	45°x35°, F1.25	90°x69°, F1.4
9mm	35°x27°, F1.25	69°x56°, F1.4
13mm	25°x19°, F1.25	45°x37°, F1.25
19mm	17°x13°, F1.25	32°x26°, F1.25
25mm	13°x10°, F1.1	25°x20°, F1.1
35mm	9.3°x7.1°, F1.2	18°x14°, F1.2
50mm	6.5°x5.0°, F1.2	12.4°x9.9°, F1.2

<b>Analytics</b>	Basic video analytics: line crossing, intrusion detection, exception detection (optional)
<b>Edge Recording</b>	microSD, up to 128GB (card not provided)
<b>Gain</b>	DDE Digital Detail Enhancement™/ACE Active Contrast Enhancement™

## NETWORK

<b>Interface</b>	100BASE-TX/1000BASE-T or 100BASE-FX/1000BASE-X (fiber)
<b>Security</b>	User Authentication/ HTTPS
<b>ONVIF</b>	ONVIF
<b>Protocols</b>	TCP / IP, UDP, DHCP, NTP, RTSP, PPPoE, DDNS, SMTP, FTP

## FIBER MEDIA CONVERTER

<b>Interface</b>	100 Base-FX/1000BASE-X
<b>Cabling</b>	Singlemode (9/125 µm) /two fibers/SC connector
<b>Maximum Distance</b>	20km
<b>Wavelength</b>	1310 nm

## IP OVER COAXIAL CONVERTER

<b>Interface</b>	10/100 Base-TX over Coaxial Cable
<b>Bandwidth</b>	Up to 95Mbps downlink/uplink
<b>Maximum Distance</b>	1800m
<b>Technology</b>	Broadband over Power Lines (BPL)

<b>Interference Prevention</b>	IEEE 1901-2010 Inter-System Protocol ISP
--------------------------------	--

## MODELS

<b>TXP1TTxx-IP-S</b>	New Generation Explosionproof Thermal PTZ camera station, 24VAC
<b>TXP2TTxx-IP-S</b>	New Generation Explosionproof Thermal PTZ camera station, 120VAC
<b>TXP3TTxx-IP-S</b>	New Generation Explosionproof Thermal PTZ camera station, 230VAC
<b>TXP1TTxx-SM-S</b>	New Generation Explosionproof Thermal PTZ camera station, SM FO Media Converter, 24VAC
<b>TXP2TTxx-SM-S</b>	New Generation Explosionproof Thermal PTZ camera station, SM FO Media Converter, 120VAC
<b>TXP3TTxx-SM-S</b>	New Generation Explosionproof Thermal PTZ camera station, SM FO Media Converter, 230VAC

(+) Gridless version available on request

To order the required camera configuration, please replace "TTxx" with the TT number indicated in the table below.

## CAMERA MODEL SELECTION TTXX

	336x256		640x512	
	9Hz	25Hz	9Hz	25Hz
7.5mm	TT01	TT11	TT21	TT31
9mm	TT02	TT12	TT22	TT32
13mm	TT03	TT13	TT23	TT33
19mm	TT04	TT14	TT24	TT34
25mm	TT05	TT15	TT25	TT35
35mm	TT06	TT16	TT26	TT36
50mm	TT07	TT17	TT27	TT37

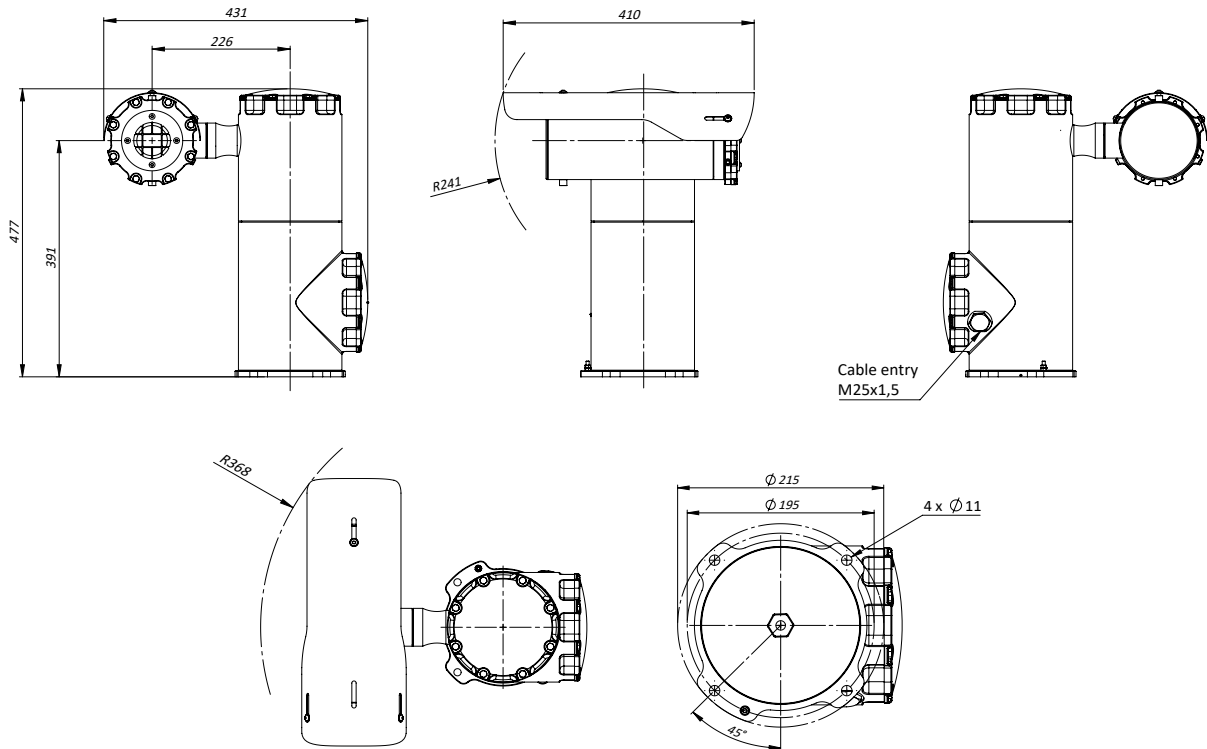
## PRE-ASSEMBLED CABLE TAILS

<b>EXACCTF3-B</b>	3 meters armoured composite cable tail (power, Ethernet, data) with 2x M25 barrier nickel plated brass glands. For PTZ camera
<b>EXACCTF3-D</b>	3 meters armoured composite cable tail (power, data, fiber optic) with 2x M25 barrier nickel plated brass glands. Fiber termination: SC. For PTZ camera
<b>EXACCTF5-B</b>	5 meters armoured composite cable tail (power, Ethernet, data) with 2x M25 barrier nickel plated brass glands. For PTZ camera
<b>EXACCTF5-D</b>	5 meters armoured composite cable tail (power, data, fiber optic) with 2x M25 barrier nickel plated brass glands. Fiber termination: SC. For PTZ camera
<b>EXACCTF10-B</b>	10 meters armoured composite cable tail (power, Ethernet, data) with 2x M25 barrier nickel plated brass glands. For PTZ camera
<b>EXACCTF10-D</b>	10 meters armoured composite cable tail (power, data, fiber optic) with 2x M25 barrier nickel plated brass glands. Fiber termination: SC. For PTZ camera

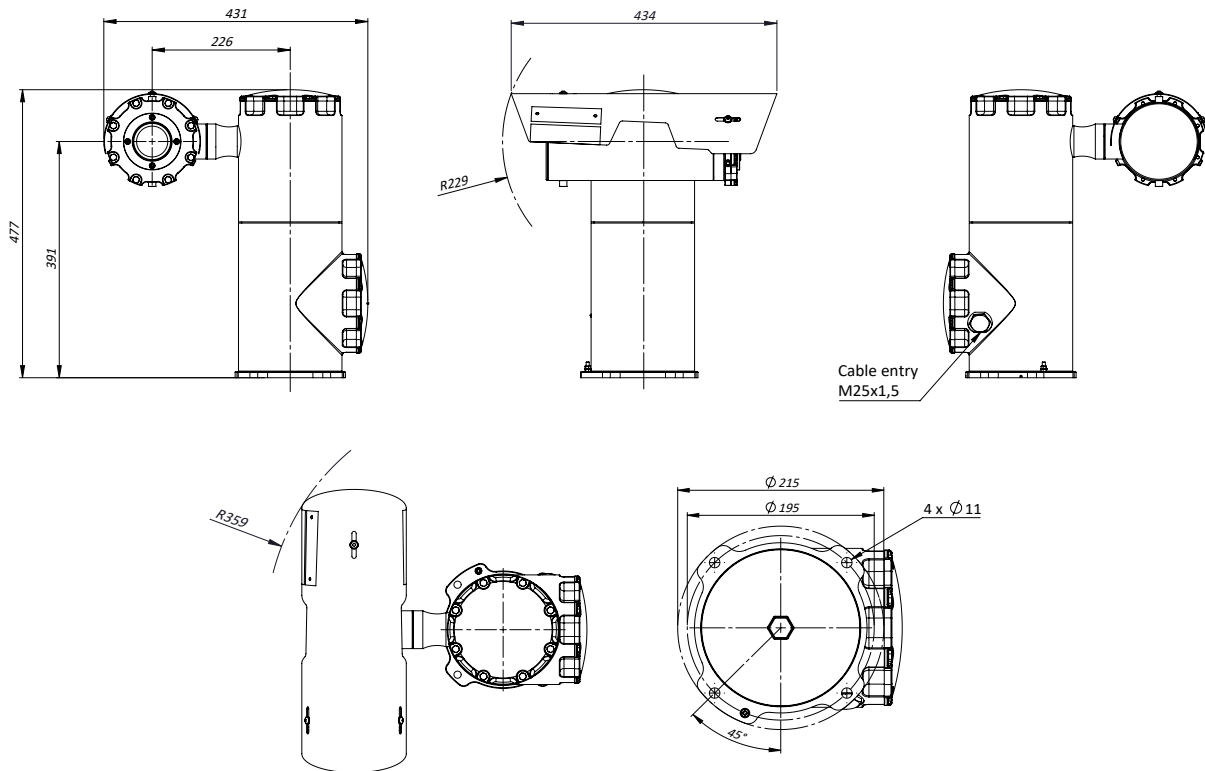
## ACCESSORIES

<b>SSBK-L</b>	Wall mounting bracket
---------------	-----------------------

## DIMENSIONS



## DIMENSIONS (GRIDLESS VERSION)



Dimensions in millimetres - Tolerances according QMS - Design and products specifications subject to change without notice - rev. 20230911