

- **INNOVATIVE PRODUCT, BEST IN CLASS TECHNOLOGY**
- CLASS1/DIV1 EXPLOSIONPROOF PTZ FOR HAZARDOUS LOCATIONS
- AISI316L STAINLESS STEEL CONSTRUCTION
- CERTIFICATION TEMPERATURE -76°F +176°F (-60°C + 80°C)
- INTEGRATED WINDOW WIPER
- VERY LOW POWER CONSUMPTION
- EASY MAINTENANCE
- IP68/69, NEMA 4X
- OPTIONAL BUILT-IN FIBER MEDIA CONVERTER
- OPTIONAL BUILT-IN IP OVER COAXIAL CONVERTER
- OPTIONAL BUILT-IN 120VAC POWER SUPPLY"



## TECHNICAL SPECIFICATIONS

### GENERAL & MECHANICAL

<b>Dimensions</b>	See dimensions drawings
<b>Operating Temperature</b>	-60°C +60°C, +75°C peak (-76°F +140°F, +167°F peak)
<b>Construction</b>	AISI316L Stainless Steel
<b>Finish</b>	Electro-polished
<b>Mounting</b>	4x Ø11 on 195 PCD
<b>Cable entries</b>	1x M25x1,5 or 3/4in (adapter) (second cable entry available on demand)
<b>Wiper</b>	Yes
<b>Pan Angle</b>	360° (continuous rotation)
<b>Pan Speed</b>	0 – 40°/second
<b>Pan Torque</b>	20Nm (limited with safety device)
<b>Tilt Angle</b>	180° (+/-90°)
<b>Tilt Speed</b>	0 – 20°/second
<b>Tilt Torque</b>	20Nm (limited with safety device)
<b>Rotation angle</b>	Electronically adjustable limit switches
<b>Backlash</b>	<0,1°
<b>Max preset accuracy</b>	0,04°
<b>Control protocol</b>	Pelco D (RS485)
<b>Weight</b>	Unit: 68lb / Package: 79lb

### ELECTRICAL

<b>Temperature Climatization</b>	
- Camera Housing	T[°C] ON = 54 ±7°F (12 ± 4°C) T[°C] OFF = 68 ± 5°F (20 ± 3°C)
- Gear motors	Electronically controlled de-icing
<b>Available voltages</b>	24VAC, 120VAC (+/-10%) 24VDC available on request
<b>Power consumption</b>	10W min (stationary and de-icing/heater/wiper off), 130W MAX

### CERTIFICATIONS

<b>Ingress Protection</b>	EN 60529 (IP68/IP69), NEMA 4X
<b>Rating</b>	Class I, Division 1, Groups A, B, C and D T5/T4 -50°C ≤ Tamb ≤ +60°C/80°C (only for Canada) Class I, Division 1, Groups B, C and D T5/T4 -25°C ≤ Tamb ≤ +60°C/80°C (for US/Canada) Class II/III, Division 1, Groups E, F and G T5/T4 -40°C ≤ Tamb ≤ +60°C/80°C (for US/Canada)
<b>Vibrations and Shock</b>	EN/IEC 60068-2-6; EN/IEC 60068-2-27; DNV-CG-0339
<b>North American Standards</b>	FM Class 3615; FM Class 3810; ANSI/UL 61010-1; ANSI/UL 60079-0; ANSI/UL 60079-1; ANSI/ISA 60079-31; ANSI/UL 50E; ANSI/IEC 60529 CSA C22.2 No. 0.4; CSA C22.2 No. 0.5; CAN/CSA C22.2 No. 61010-1; CAN/CSA-C22.2 No. 60079-0; CAN/CSA-C22.2 No. 60079-1; CAN/CSA-C22.2 No. 60079-31; CSA C22.2 No. 94.2; CAN/CSA C22.2 No. 60529
<b>EMC</b>	EN 55035; EN/IEC 61000-6-4; EN/IEC 61000-3-2; EN/IEC 61000-3-3; EN/IEC 61000-6-2; CISPR-32; CISPR-35; DNV-CG-0339
<b>LVD</b>	EN/IEC 62368-1
<b>FCC</b>	FCC part 15B
<b>RoHS</b>	2011/65/EU + 2015/863/EU (RoHS 3)
<b>WEEE</b>	2012/19/EU

### FIBER MEDIA CONVERTER

<b>Interface</b>	100 Base-FX/1000BASE-X
<b>Cabling</b>	Singlemode (9/125 μm) /two fibers/SC connector
<b>Maximum Distance</b>	20km
<b>Wavelength</b>	1310 nm

**INNOVATIVE EXPLOSIONPROOF PTZ CAMERA STATION****IP OVER COAXIAL CONVERTER**

<b>Interface</b>	10/100 Base-TX over Coaxial Cable
<b>Bandwidth</b>	Up to 95Mbps downlink/uplink
<b>Maximum Distance</b>	1800m
<b>Technology</b>	Broadband over Power Lines (BPL)
<b>Interference Prevention</b>	IEEE 1901-2010 Inter-System Protocol ISP

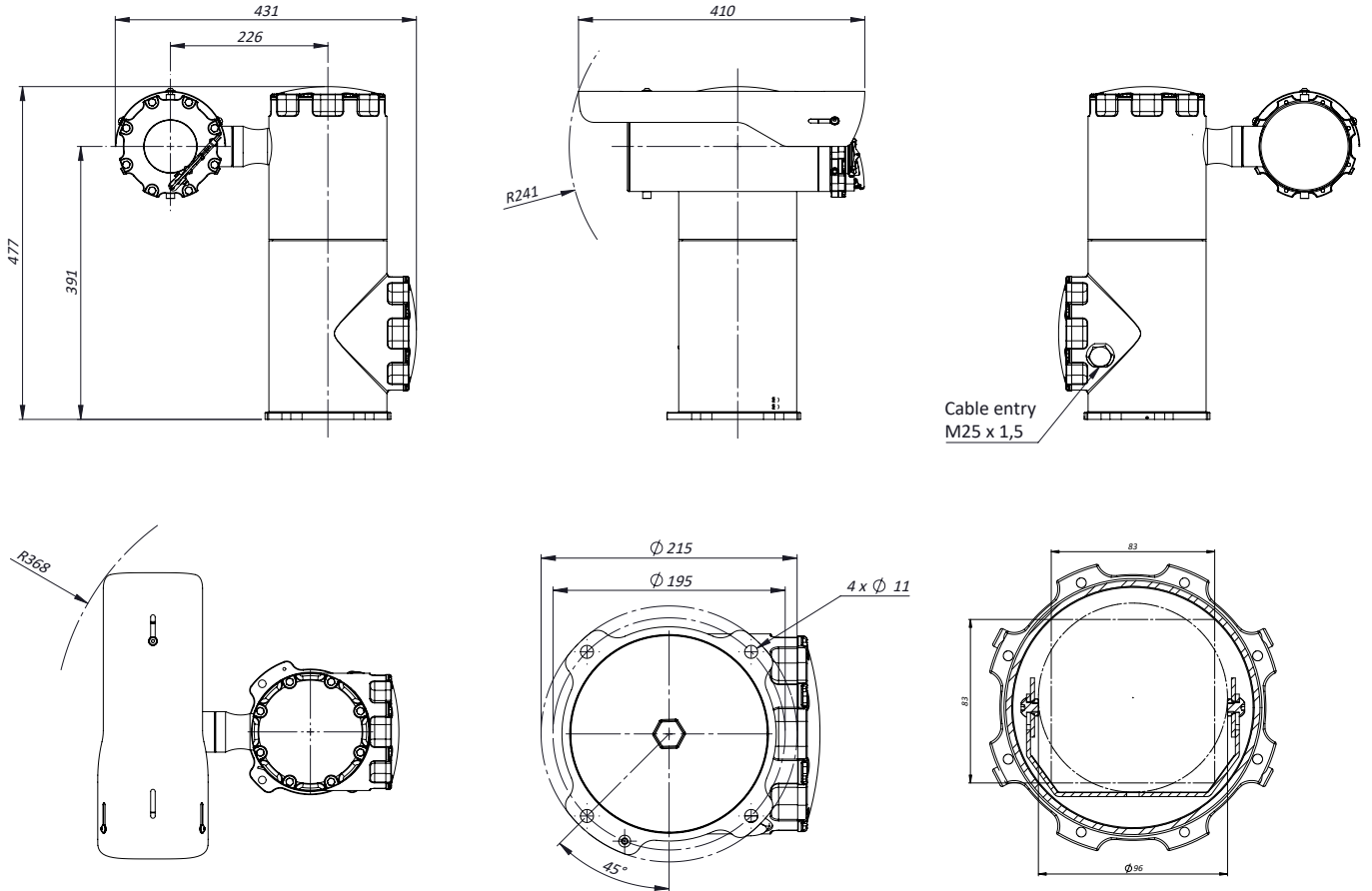
**MODELS**

<b>TXPUS1-S</b>	New Generation Explosionproof PTZ IP camera housing, 24VAC
<b>TXPUS2-S</b>	New Generation Explosionproof PTZ IP camera housing, 120VAC
<b>TXPUS1-SM-S</b>	New Generation Explosionproof PTZ IP camera housing. SM FO Media converter, 24VAC
<b>TXPUS2-SM-S</b>	Generation Explosionproof PTZ IP camera housing. SM FO Media converter, 120VAC
<b>TXPUS1-CX-S</b>	New Generation Explosionproof PTZ IP camera housing. IP over COAXIAL converter, 24VAC
<b>TXPUS2-CX-S</b>	Generation Explosionproof PTZ IP camera housing. IP over COAXIAL converter, 120VAC

**ACCESSORIES**

<b>SSBK-L</b>	Wall mounting bracket
---------------	-----------------------

DIMENSIONS



**MAX INTERNAL USABLE AREA**

Model	Max internal dimensions [mm]	Max usable internal diameter [mm]
TXPUS-5	80x80x180	96